

Push-in thermocouple sensor assemblies ET631

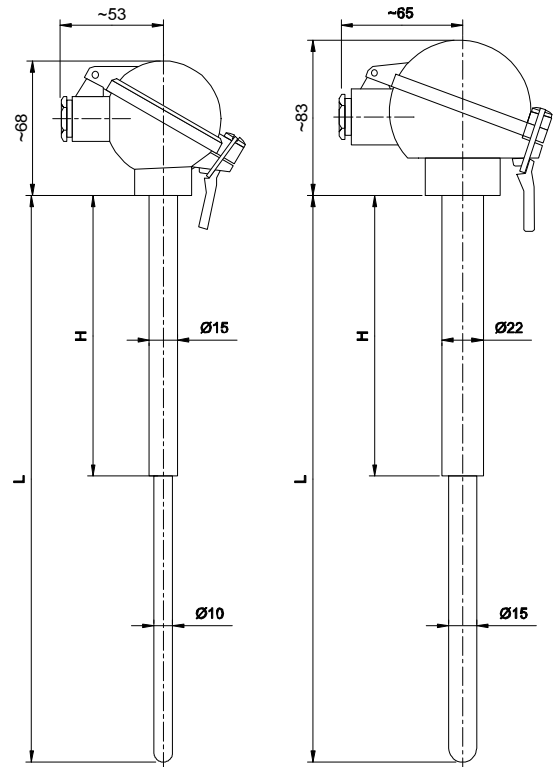


Features

- Thermocouples type K, S, R, B, C
- Steel holding tube $\varnothing 15$ or $\varnothing 22$ mm
- Ceramic protection tube $\varnothing 10$ or $\varnothing 15$ mm
- Insertion length up to 1400 mm
- Spherical terminal head with hinged cover
- In-head 4-20 mA transmitter option

Specifications

Thermocouple options	Type K, Class 1, mineral insulated, 0...+1150 °C, peak +1250 °C, Inconel 600 insert $\varnothing 4,5$ mm Type S, Class 1, wire $\varnothing 0,35$ mm, +600...+1400 °C, peak +1600 °C Type R, Class 1, wire $\varnothing 0,35$ mm, +600...+1400 °C, peak +1600 °C Type B, Class 2, wire $\varnothing 0,35$ mm, +800...+1600 °C, peak +1800 °C Type C, Class 2, wire $\varnothing 0,50$ mm, 0...+2000 °C, peak +2300 °C
Holding tube options	5: AISI321 / EN1.4541 steel 7: AISI446 / EN1.4762 steel 8: AISI310 / EN1.4841 steel $\varnothing 15 \times 2$ mm or $\varnothing 22 \times 2$ mm, length H
Ceramic tube options	C610 porcelain (for TC type K) C799 alumina (for TC type S, R, B, C) $\varnothing 10$ mm (for $\varnothing 15$ holding tube) $\varnothing 15$ mm (for $\varnothing 22$ holding tube) total length L, free length L - H
Terminal head	spherical with hinged cover, aluminium alloy, protection IP54 small SUZ (for holding tube $\varnothing 15$ mm) large BUZ (for holding tube $\varnothing 22$ mm)
Terminal block option	-CS: ceramic, screw connections
Transmitter option	-A-T1-T2: 4-20 mA, range T1-T2 °C
Accessories	
MB1-15/-22	adjustable screw fitting for holding tube $\varnothing 15/22$ mm, weld type, <300 °C
MB2-15/-22	adjustable screw fitting for holding tube $\varnothing 15/22$ mm, flange type, <300 °C
FS11T-15/-22	compression fitting for tube $\varnothing 15/22$ mm, Zinc plated steel, G1" outer thread



Standard insertion lengths L = 250 / 500 / 750 / 1000 / 1400 mm
Recommended holding tube length H = L - (100...200 mm)

Ordering examples: ET631-K-8D15L500H300-CS
ET631-S-7D22L750H550-A-0-1600
MB2-22