

UWT

LEVEL. UP TO THE MAX.



6 YEARS
GUARANTEE
APPROVED
QUALITY

Vibranivo® 7000

VIBRATION LEVEL SWITCH - LIQUID FORK

The compact and robust solution for safe level monitoring for all types of liquids. Versatile, extensive configuration options, corrosion-resistant and maintenance-free. Can be used in hygiene-sensitive production environments.



Vibranivo® 7000



- Ultra compact design with 316L stainless steel enclosure (IP69, type 6P)
- Measures most applications without need to adjust sensitivity setting
- Unique, highly visible LED signal with selectable colors
- Insensitive to material buildup, flow, turbulences and air bubbles

VN 7120 Compact version
Short version with 64 mm extension.
Installation even where space is limited
(e.g. down-pipes).



100 °C

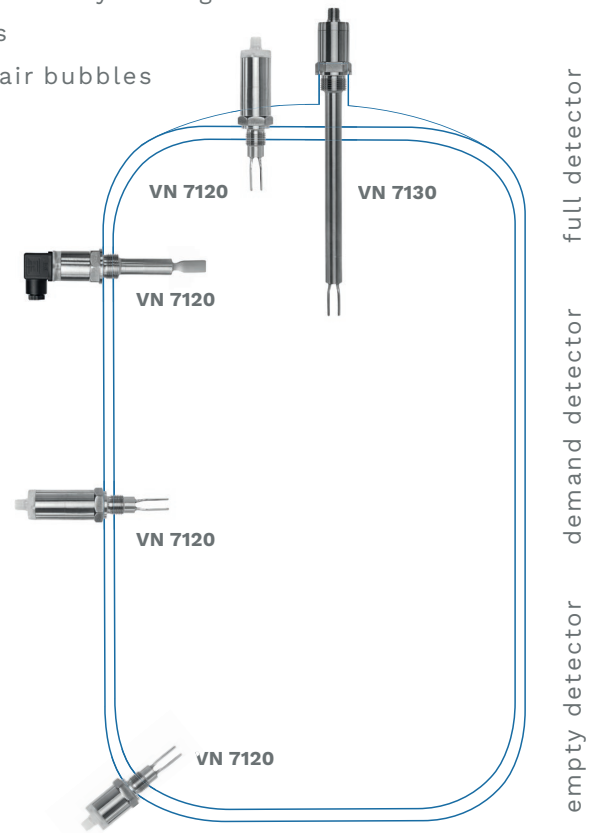
150 °C

VN 7130 Pipe extension
Version with variable pipe extension
up to 4000 mm.



100 °C

150 °C



full detector
demand detector
empty detector

TECHNICAL DATA

Housing material	Stainless steel (1.4404)
Material wetted parts	Stainless steel (1.4404)
Surface quality R _a	3,2 µm (< 0,8 µm)
Protection rating	IP69K, Type 6P (stainless steel lid, 1.4404) IP67, Type 4X (PC plastic lid transparent, valve plug)
Process temperature	Compact version: -40 °C .. +100 °C -40 °F .. +212 °F with temperature extended shaft: -40 °C .. +150 °C -40 °F .. +302 °F
SIP / CIP	max. 150 °C 302 °F, duration continuous
Process pressure	-1 .. +63 bar -14,5 .. +914 psi
Sensitivity	density > 0,5 g/cm ³
Process connection	≥ G ½" NPT ½" ≥ Triclamp DN25 (1"), > Flange DN25
Hygienic adapters	Triclamp, Flush welding socket
Electrical connection	M12 plug, Valve plug
Electronic	3 wire PNP 3/4-wire, IO-Link, PNP, NPN, Push/Pull 2-wire without contact 19...230V AC/DC
Certificates	CE, UKCA, FMc-GP, EHEDG EL class I* WHG, 3.1 material certificate (EN 10204)

Subject to production-related modifications

* in authorisation process