

## 17" Industrial display



- 17" brilliant TFT-LCD graphic display, 1280 x 1024 pixels
- Die-cast aluminium housing, low installation depth
- Flush frame design, IP65 on the front
- HDMI, DVI and VGA interfaces

<https://www.wachendorff-electronics.com/DPL002-170N002P>

### Description

The Series 1 industrial displays are available in sizes from 10.1" to 23.8" and can be equipped with projected capacitive, resistive or no touchscreen. Particularly noteworthy is the front frame, which is only 3 mm thick, allowing almost flush mounting in the panel cut-out.

The housings are IP65 rated on the front and have a very compact and robust design thanks to the specially designed aluminium housing. The low installation depth means that the displays can be used almost anywhere.

### Product-Details

Power supply:	12 VDC to 36 VDC
Power consumption:	Typical power consumption: 18 W Maximum power consumption: 48 W
Display:	17" TFT-LCD
Resolution:	1280 x 1024 pixels
Aspect ratio:	4:3
Brightness:	250 cd/m <sup>2</sup>
Colours:	16.7 M.
Reading angle:	85/85/85/85 (L/R/U/D)
Touchscreen:	without touch
Glas hardness:	7H without touch
I/O-ports:	USB: RJ45-USB for Touch Display: 1x HDMI, 1x DVI, 1x VGA Audio: 3.5 mm jack
Housing:	Die-cast aluminium housing
Mounting:	VESA 75 x 75, VESA 100 x 100 Panel mount
Protection class:	IP65 on the front
Weight:	Approx. 4.7 kg
Dimensions (WxHxD):	414 mm x 345 mm x 63 mm
Environmental conditions:	Operation: -10 °C to +65 °C Storage: -20 °C to +75 °C 10 % to 80 % rFn at 40 °C, non-condensing
Certifications:	CE FCC Class A CCC
Packing list:	1x device 1x mounting material 1x VGA cable
Tariff number:	85285210
Manufacturer:	Wachendorff Prozesstechnik

### Products Order no.

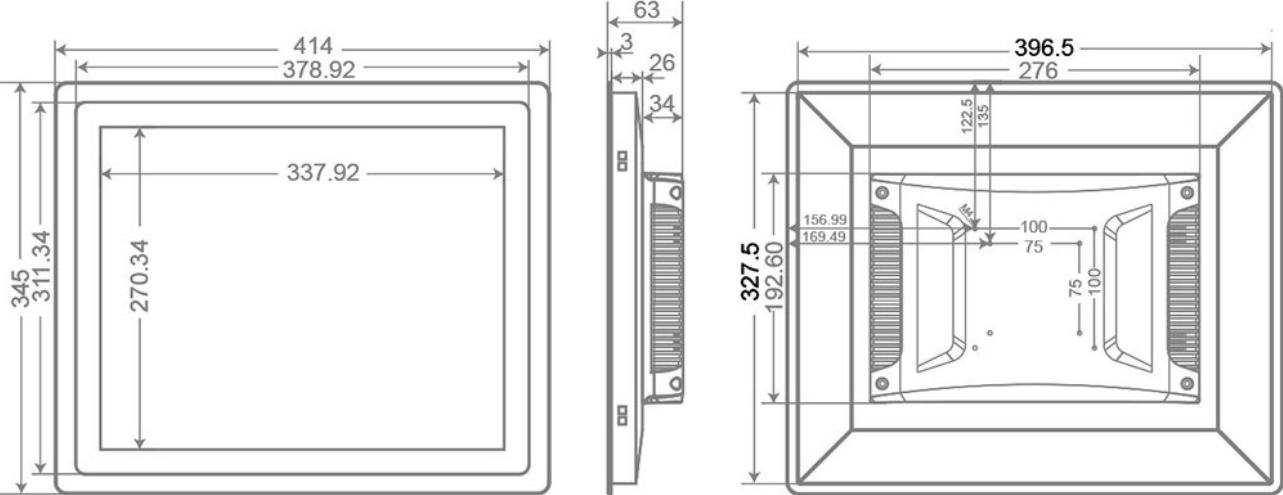
DPL002-170N002P	17 inch industrial display Aluminum housing, without touch
-----------------	---

### Accessories Order no.

PPC-PWRCRD_01	Mains cable / connection cable E+F CEE 7/7 to C13 1.5 m
DPL-PWRADAP_24VDC1.5A	External power supply unit for display, 230 VAC to 24 VDC with hollow connector and C14 plug
PPC-WALL-VESA-01	VESA wall mount metal, 75 x 75, 100 x100, black, including screw accessory pack
JWS-ZJ01	Industrial monitor/display stand, VESA 100x100, black
JWS-ZJ02	Industrial monitor/display stand, VESA 100x100, silver

**Drawings**

**Dimensions (mm) and STL-Data/Viewer:**





Wachendorff Prozesstechnik GmbH & Co. KG  
Industriestrasse 7 • 65366 Geisenheim  
Germany

Phone: +49 (0) 67 22 / 99 65 - 20  
E-Mail: [wp@wachendorff.de](mailto:wp@wachendorff.de)  
[www.wachendorff-prozesstechnik.de](http://www.wachendorff-prozesstechnik.de)

