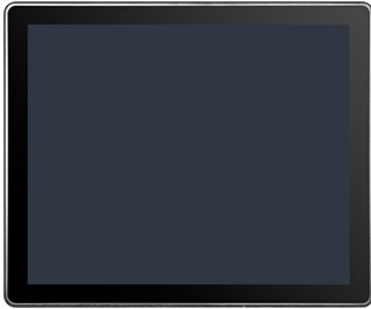


17.0" Industrial display



- 17.0" brilliant TFT-LCD graphic display, 1280 x 1024 pixels
- Die-cast aluminium housing, low installation depth
- Flush frame design, IP65 on the front
- HDMI, DVI and VGA interfaces
- Display without Touch

<https://www.wachendorff-electronics.com/DPL005-170N002P>

Description

The Series 2 industrial displays are available in sizes from 10.1" to 21.5" and can be equipped with either a projected capacitive, resistive or no touchscreen. Particularly noteworthy is the extremely narrow display edge, which enables an almost frameless design. The front of the housing is IP65 rated and, thanks to the specially designed die-cast aluminium housing, has a very compact and robust design. The low installation depth means that the displays can be used almost anywhere.

Product-Details

Power supply:	Hollow connector 5.5 x 2.5 mm: 12 VDC to 36 VDC 2 pin connector: 12 VDC to 36 VDC
Power consumption:	Typical power consumption: 18 W Maximum power consumption: 48 W
Display:	17.0" TFT-LCD
Resolution:	1280 x 1024 pixels
Aspect ratio:	5:4
Brightness:	250 cd/m ²
Colours:	16.7 M.
Viewing angle:	85/85/85/85 (L/R/U/D)
Touchscreen:	without touch
Glas hardness:	7H
I/O-ports:	Display: 1x HDMI, 1x DVI, 1x VGA Audio: 3.5 mm jack
Housing:	Die-cast aluminium housing
Mounting:	VESA 75 x 75, VESA 100 x 100 Panel mount
Protection class:	IP65 at the front
Weight:	Approx. 4.7 kg
Dimensions (WxHxD):	389,5 mm x 321,9 mm x 62,8 mm
Environmental conditions:	Operation: -10 °C to +65 °C Storage: -20 °C to +75 °C 10 % to 80 % rFn at 40 °C, non-condensing
Certifications:	CE FCC Class A CCC
Packing list:	1x device 1x mounting material 1x VGA cable
Tariff number:	85285210
Manufacturer:	Wachendorff Prozesstechnik

Products Order no.

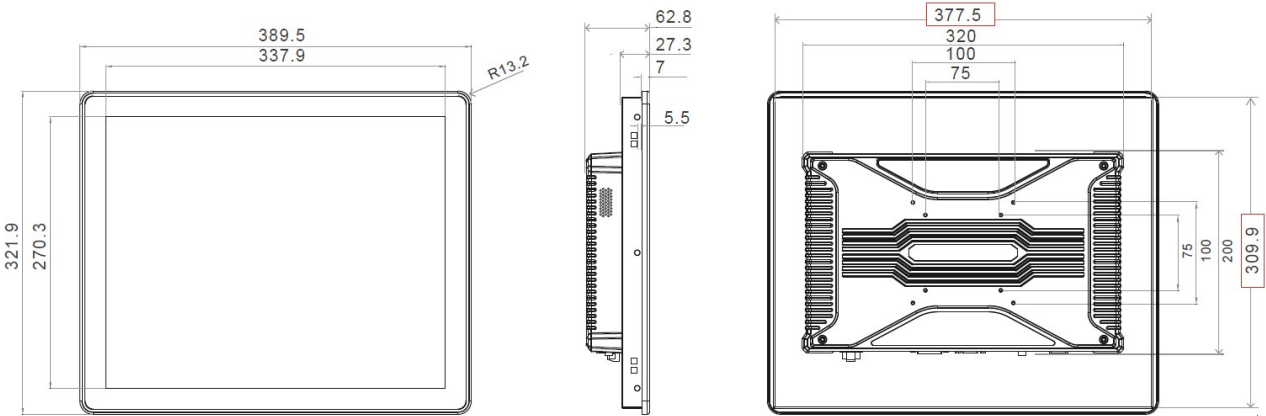
DPL005-170N002P	17.0" Industrial display without touch
-----------------	--

Accessories Order no.

PPC-PWRCRD_01	Mains cable / connection cable E+F CEE 7/7 to C13 1.5 m
DPL-PWRADAP_24VDC1.5A	External power supply unit for display, 230 VAC to 24 VDC with hollow connector and C14 plug
JWS-ZJ01	Industrial monitor/display stand, VESA 100x100, black
JWS-ZJ02	Industrial monitor/display stand, VESA 100x100, silver
PPC-WALL-VESA-01	VESA wall mount metal, 75 x 75, 100 x100, black, including screw accessory pack

Drawings

Dimensions (mm) and STL-Data/Viewer:





Wachendorff Prozesstechnik GmbH & Co. KG
Industriestrasse 7 • 65366 Geisenheim
Germany

Phone: +49 (0) 67 22 / 99 65 - 20
E-Mail: wp@wachendorff.de
www.wachendorff-prozesstechnik.de

