

17" Panel-PC Series-1A1 Intel® Celeron® J4125



- 17" TFT-LCD, 1280 x 1024 pixels
- Processor: Intel® Celeron® J4125
- Die-cast aluminium housing
- Flush frame design, IP65 on the front
- Fanless cooling system

<https://www.wachendorff-electronics.com/PPC002-170A1>

Description

The industrial panel PCs of the WACHENDORFF Series-1 are available in display sizes from 10" to 23.8", optionally equipped with projected capacitive, resistive or no touch. The projected capacitive touch enables multi-touch operation with an appropriate operating system. If pressure-sensitive operation is required (e.g. with gloves), the resistive touch is the right choice. A variety of different processors are available, from the energy-efficient Intel® Celeron® J4125 to a 10th generation Intel® Core™ i7. Integrate up to 64 GB of RAM to meet the most demanding requirements. The front panels are absolutely flush with the die-cast aluminium housing. The housing is IP65 rated. The unique fanless thermal design of the die-cast aluminium housing enables effective temperature control.

Product-Details

Power supply:	Hollow connector 5.5 x 2.5 mm: 12 VDC to 36 VDC 2 pin connector: 12 VDC to 36 VDC
Power consumption:	max. 70W
Display:	17" TFT-LCD
Resolution:	1280 x 1024 pixels
Aspect ratio:	4:3
Brightness:	250 cd/m ²
Colours:	16.7 M.
Reading angle:	85/85/85/85 (L/R/U/D)
Touchscreen:	<ul style="list-style-type: none"> • Projected capacitive touch • Resistive touch • without touch
Glashärte:	<ul style="list-style-type: none"> • 6H Projected capacitive touch • 3H Resistive touch • 7H without touch
Processor:	Intel® Celeron® J4125 (2.70 GHz)
RAM:	Max. 8GB DDR4
SSD/HDD:	Max. 1 TB
I/O-ports:	USB: 2 x USB 2.0 type A, 2 x USB 3.0 type A Serial: 2x RS-232 DB-9 Ethernet: 2x RJ-45 Gigabit Ethernet Display: 1x HDMI, 1x VGA Audio: 1x audio out, 3.5 mm jack Sim Card Slot: Standard SIM (standard without function) WLAN: 1x 802.11 abgn/ac/d/e/i/h/w Bluetooth: 1x Bluetooth 4.0
Expansion slots:	None
Housing:	Die-cast aluminium housing

Mounting:	VESA 75 x 75, VESA 100 x 100 Panel mount
Protection class:	IP65 on the front
Dimensions (WxHxD):	414 mm x 345 mm x 63 mm
Weight:	Approx. 5.0 kg
Certification:	CE, RoHS, FCC, REACH
Environmental conditions:	Operation: -10 °C to +65 °C, 10 % to 80 %rF Storage: -20 °C to +70 °C, 10 % to 90 %rF
Operating system:	Windows® 10 IoT Windows® 11 IoT Linux
Options:	LTE
Packing list:	1 x device 1 x Mounting material
Tariff number:	8471 41 00
Manufacturer:	Wachendorff Prozesstechnik GmbH & Co. KG

Products Order no.

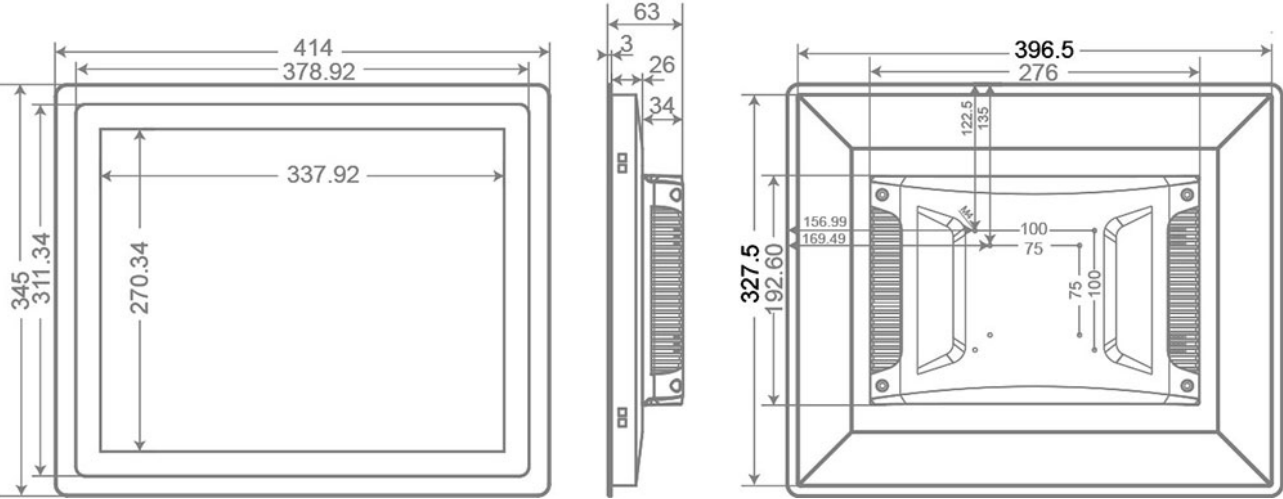
PPC002-170A	17.0 inch Industrial Panel PC Series-1A, aluminium housing, Intel Celeron
-------------	---

Accessories Order no.

PPC-PWRCRD_01	Mains cable / connection cable E+F CEE 7/7 to C13 1.5 m
PPC-PWRADAP_01_24VDC2.5A	External power supply unit for Celeron und Intel Core 6./7. Gen. Panel-PC, 230VAC to 24VDC with hollow connector and C14 plug
PPC-WALL-VESA-01	VESA wall mount metal, 75 x 75, 100 x100, black, including screw accessory pack
JWS-ZJ01	Industrial monitor/display stand, VESA 100x100, black
JWS-ZJ02	Industrial monitor/display stand, VESA 100x100, silver

Drawings

Dimensions (mm) and STL-Data/Viewer:





Wachendorff Prozesstechnik GmbH & Co. KG
Industriestrasse 7 • 65366 Geisenheim
Germany

Phone: +49 (0) 67 22 / 99 65 - 20
E-Mail: wp@wachendorff.de
www.wachendorff-prozesstechnik.de

