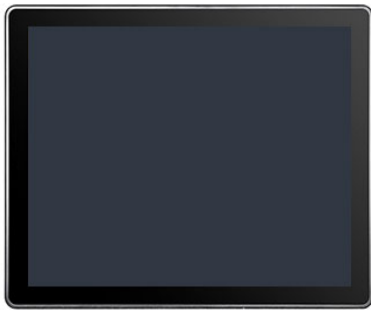


## 17.0" Panel-PC Series-2A1 Intel® Celeron® J4125



- 17.0" TFT-LCD, 1280 x 1024 pixels
- Processor: Intel® Celeron® J4125
- Die-cast aluminium housing
- Flush frame design, IP65 on the front
- Fanless cooling system

<https://www.wachendorff-electronics.com/PPC005-170A1>

### Description

#### Wachendorff Panel-PC Series-2

The Wachendorff Panel-PC Series-2 are available in display sizes ranging from 10" to 21.5" and can be equipped with projected capacitive, resistive or no touch. The projected capacitive touch display enables multi-touch operation with an appropriate operating system. If pressure-sensitive operation is required (e.g. with gloves), the resistive touch is the right choice. You can choose from a variety of different processors, from the energy-efficient Intel® Celeron® J4125 to a 12th generation Intel® Core™ i7. Integrate up to 64 GB of RAM to meet the most demanding requirements. Particularly noteworthy is the especially narrow display edge, which enables an almost frameless design. The housings are IP65 rated at the front and have a very compact and robust design thanks to the specially constructed aluminum housing. The unique fanless thermal design of the die-cast aluminum housing enables effective temperature control.

### Product-Details

Power supply:	Hollow connector 5.5 x 2.5 mm: 12 VDC to 36 VDC Screw terminal: 12 VDC to 36 VDC
Power consumption:	Typical power consumption: 18 W Maximum power consumption: 70 W
Display:	17.0" TFT-LCD
Resolution:	1280 x 1024 Pixel
Aspect ratio:	5:4
Brightness:	250 cd/m <sup>2</sup>
Colours:	16.7 M.
Reading angle:	85/85/85/85 (L/R/U/D)
Touchscreen:	<ul style="list-style-type: none"> <li>• Projected capacitive touch</li> <li>• Resistive touch</li> <li>• without touch</li> </ul>
Glas hardness:	<ul style="list-style-type: none"> <li>• 6H Projected capacitive touch</li> <li>• 3H Resistive touch</li> <li>• 7H without touch</li> </ul>
Processor:	Intel® Celeron® J4125 (2.70 GHz)
RAM:	Max. 8GB
SSD/HDD:	Max. 1 TB

I/O-ports:	USB: 2 x USB 2.0 type A, 2 x USB 3.0 type A 6-pin screw terminal: 2x RS-232 (up to 12 inches) 12-pin screw terminal: 2x RS-232, 1x RS-485, 3x GPIO (from 15 inches) Ethernet: 2x RJ-45 Gigabit Ethernet Display: 1x HDMI, 1x VGA Audio: 1x audio out, 3.5 mm jack Sim Card Slot: Standard SIM (standard without function) WLAN: 1x 802.11 abgn/ac/d/e/i/h/w Bluetooth: 1x Bluetooth 4.0
Expansion slots:	None
Housing:	Die-cast aluminium housing
Mounting:	VESA 75 x 75, VESA 100 x 100 Panel mount
Protection class:	IP65 on the front
Dimensions (WxHxD):	389,5 mm x 321,9 mm x 62,8 mm
Weight:	Approx. 5.1 kg
Certification:	CE, RoHS, FCC, REACH
Environmental conditions:	Operation: -10 °C to + 65 °C, 10 % to 80 %.rF Storage: -20 °C to +70 °C, 10 % to 90 %.rF
Operating system:	Windows® 10 IoT Windows® 11 IoT Linux
Options:	LTE
Packing list:	1 x device 1 x Mounting material
Tariff number:	8471 41 00
Manufacturer:	Wachendorff Prozesstechnik GmbH & Co. KG

### Products Order no.

PPC005-170A1	17.0 inch Industrial Panel PC Series-2A1, aluminium housing, Intel Celeron J4125
--------------	--

### Accessories Order no.

PPC-PWRADAP_01_24VDC2.5A	External power supply unit for Celeron und Intel Core 6./7. Gen. Panel-PC, 230VAC to 24VDC with hollow connector and C14 plug
--------------------------	---

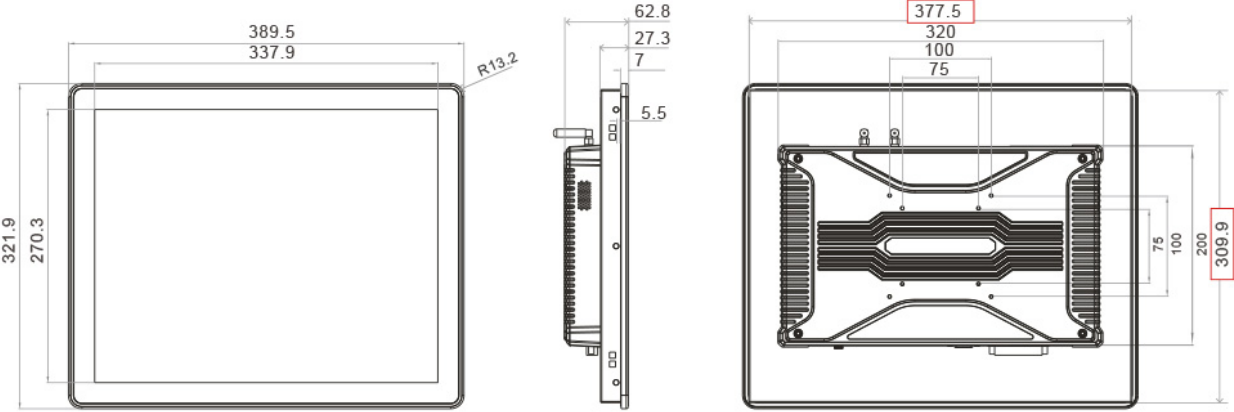
---

PPC-PWRCRD_01	Mains cable / connection cable E+F CEE 7/7 to C13 1.5 m
JWS-ZJ01	Industrial monitor/display stand, VESA 100x100, black
JWS-ZJ02	Industrial monitor/display stand, VESA 100x100, silver
PPC-WALL-VESA-01	VESA wall mount metal, 75 x 75, 100 x100, black, including screw accessory pack

---

**Drawings**

**Dimensions (mm):**



Schnittstellenposition kann abweichen. Für genauere Information bitte die Produktfotos beachten.  
Interface position may vary. Please refer to the product photos for more detailed information.



Wachendorff Prozesstechnik GmbH & Co. KG  
Industriestrasse 7 • 65366 Geisenheim  
Germany

Phone: +49 (0) 67 22 / 99 65 - 20  
E-Mail: [wp@wachendorff.de](mailto:wp@wachendorff.de)  
[www.wachendorff-prozesstechnik.de](http://www.wachendorff-prozesstechnik.de)

